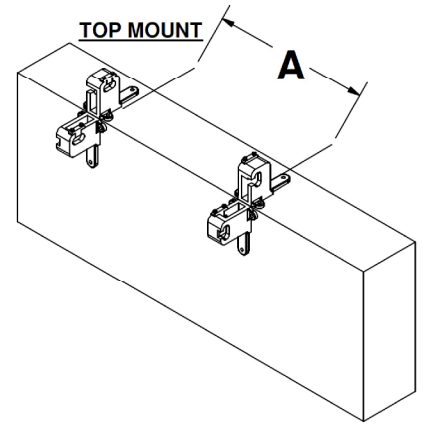


- A** = 31 3/4" ± 1/4" (32" Wide Ramp)
- 36 1/2" ± 1/4" (36" Wide Ramp)
- 42 1/2" ± 1/4" (42" Wide Ramp)
- 48 1/2" ± 1/4" (48" Wide Ramp)



SHORE BRACKET MOUNTING DETAIL

ALUMIDOCK GANGWAY MOUNTING DETAIL